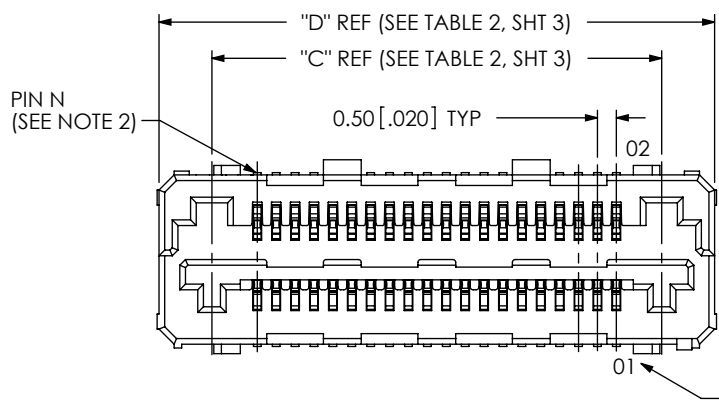


DO NOT SCALE FROM THIS PRINT



LSHM-1XX-XX.X-XX-DV-A-X-X-TR

No OF POSITIONS
 20,30,40,50

LEAD STYLE
 -02.5
 -03.0
 -04.0
 -06.0
 -L2.5: LUBRICATED
 -L3.0: LUBRICATED
 -L4.0: LUBRICATED
 -L6.0: LUBRICATED

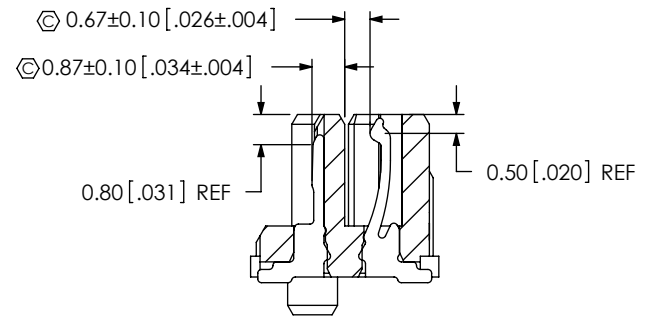
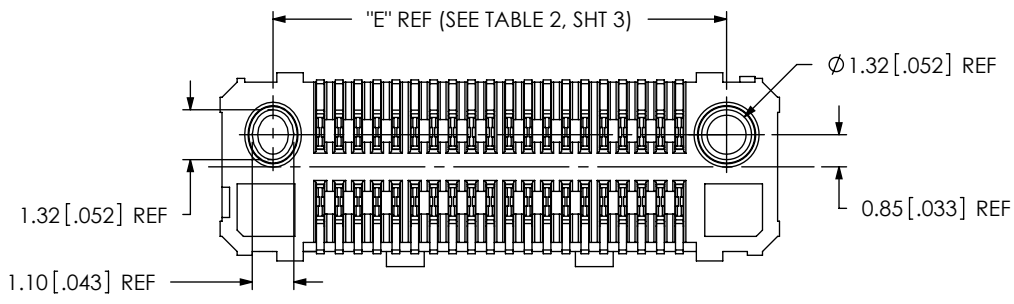
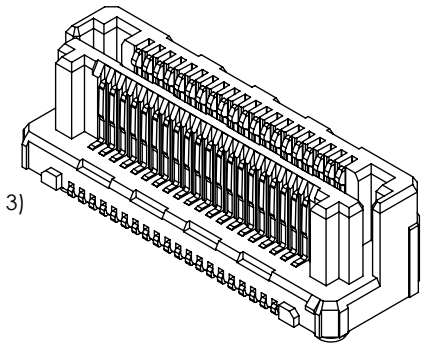
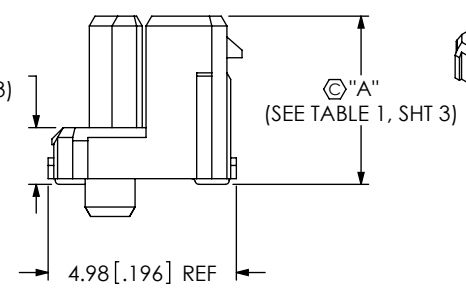
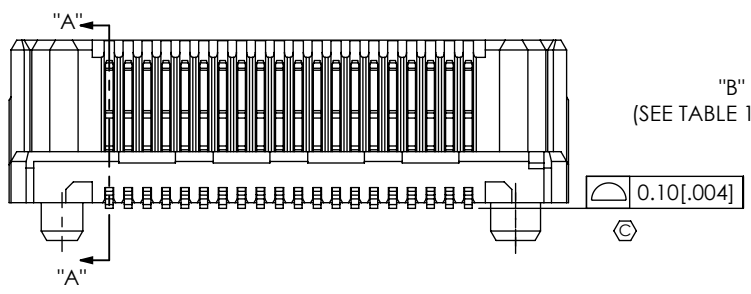
PACKAGING (SEE NOTE 6)
 -TR: TAPE & REEL

OPTION
 -K: POLYIMIDE FILM (USE K-500-300, SEE FIG. 3, SHT 3)

SHIELD
 S: WITH SHIELD
 N: NO SHIELD

TAIL OPTION
 DV: VERTICAL

PLATING SPECIFICATION
 -L: 10u" (0.25u"m) GOLD (MATTE TIN TAILS)
 -F: GOLD FLASH (MATTE TIN TAILS)



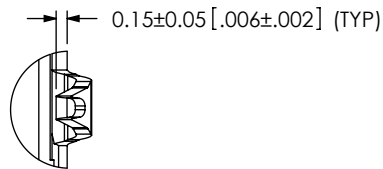
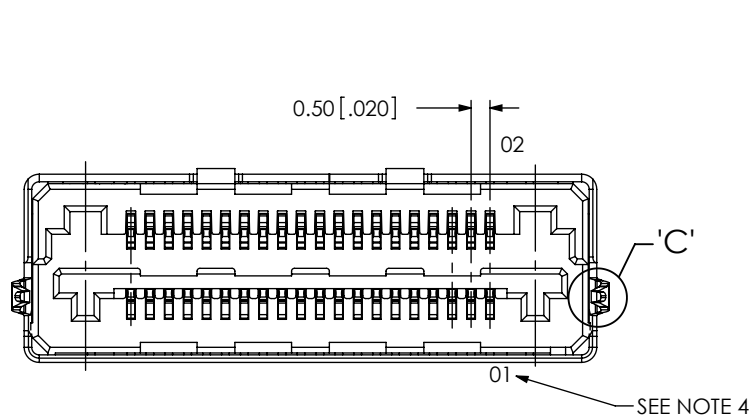
SECTION "A"- "A"
 SCALE 5 : 1

NOTES:

1. \odot REPRESENTS A CRITICAL DIMENSION.
2. BURR ALLOWANCE: .038 [.0015].
3. MINIMUM PUSHOUT FORCE; TERMINALS: 2.22 N [.5 LBS], CONTACTS: 2.22 N [.5 LBS].
4. WHEN MATING WITH ANOTHER LSHM-DV, PIN 01 WILL MATE WITH CONTACT 02 ON MATING CONNECTOR. WHEN MATING WITH A LSHM-DH, PIN 01 WILL MATE WITH PIN N, WHERE N=TOTAL NUMBER OF POSITIONS.
5. MEASURE FROM TOP OF VERTICAL WALL.
6. FOR QUANTITIES UP TO 49 PCS., NO LEADER, TRAILER OR REEL WILL BE SUPPLIED. FOR QUANTITIES OF 50-124 PCS., NO LEADER OR TRAILER WILL BE SUPPLIED.

FIG 1
 (LSHM-1XX-XX.X-DV-A-N-X-TR SHOWN)

UNLESS OTHERWISE SPECIFIED, DIMENSIONS ARE IN MILLIMETERS (INCHES). TOLERANCES ARE: X.X: ±0.3 [.01] X.XX: ±0.13 [.005] X.XXX: ±0.051 [.0020]	PROPRIETARY NOTE THIS DOCUMENT CONTAINS INFORMATION CONFIDENTIAL AND PROPRIETARY TO SAMTEC, INC. AND SHALL NOT BE REPRODUCED OR TRANSFERRED TO OTHER DOCUMENTS OR DISCLOSED TO OTHERS OR USED FOR ANY PURPOSE OTHER THAN THAT WHICH IT WAS OBTAINED WITHOUT THE EXPRESSED WRITTEN CONSENT OF SAMTEC, INC.	520 PARK EAST BLVD., NEW ALBANY, IN 47150 PHONE: 812-944-6733 FAX: 812-948-5047 e-Mail: info@SAMTEC.com code 55322
DWG. NO. LSHM-1XX-XX.X-XX-DV-A-X-X-TR		BY: AGEN H 10/30/2008 SHEET 1 OF 3



DETAIL 'C'
SCALE 10:1

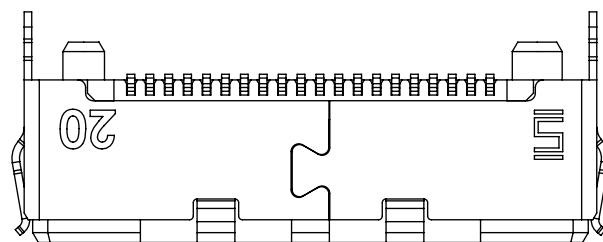
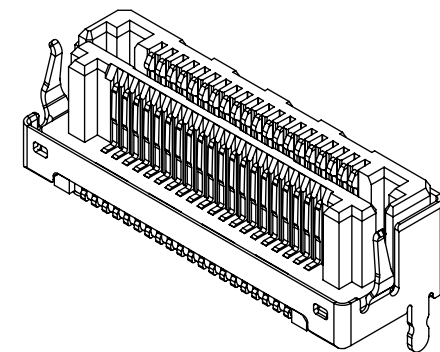
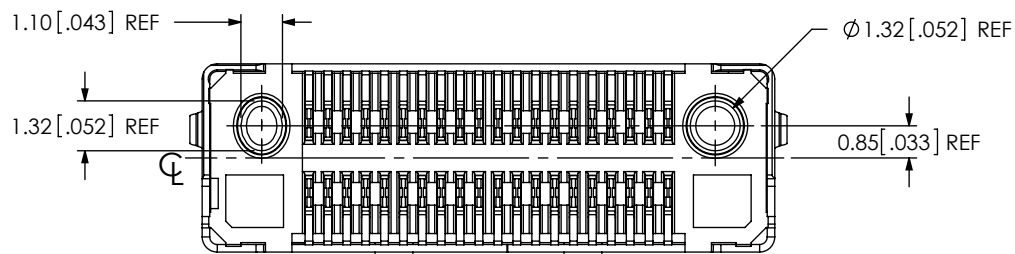
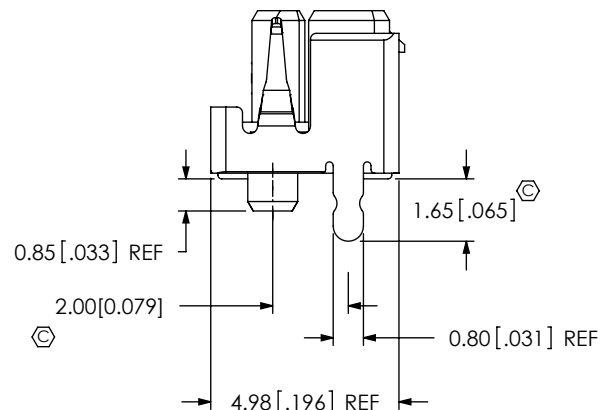
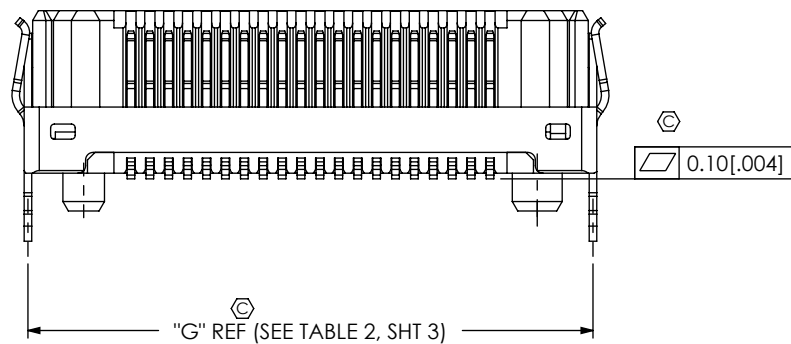


FIG 2
(LSHM-1XX-XX.X-DV-A-S-X-TR SHOWN)

PROPRIETARY NOTE

THIS DOCUMENT CONTAINS INFORMATION CONFIDENTIAL AND PROPRIETARY TO SAMTEC, INC. AND SHALL NOT BE REPRODUCED OR TRANSFERRED TO OTHER DOCUMENTS OR DISCLOSED TO OTHERS OR USED FOR ANY PURPOSE OTHER THAN THAT WHICH IT WAS OBTAINED WITHOUT THE EXPRESSED WRITTEN CONSENT OF SAMTEC, INC.

DO NOT SCALE DRAWING
SHEET SCALE: 1:0.2

samtec

520 PARK EAST BLVD, NEW ALBANY, IN 47150
PHONE: 812-944-6733 FAX: 812-948-5047
e-Mail info@SAMTEC.com code 55322

DESCRIPTION:
0.50mm TERMINAL/SOCKET COMBO

DWG. NO.
LSHM-1XX-XX.X-XX-DV-A-X-X-TR

BY: AGEN H 10/30/2008 SHEET 2 OF 3

TABLE 1			
STYLE	"A"	"B"	"J"
-02.5	3.95 [0.156]	1.00 [0.039]	4.10 [0.161]
-03.0	4.45 [0.175]	1.50 [0.059]	4.60 [0.181]
-04.0	5.45 [0.215]	2.50 [0.098]	5.60 [0.220]
-06.0	7.45 [0.293]	4.50 [0.177]	7.60 [0.299]

TABLE 2						
No OF POS	"C"	"D"	"E"	"F"	"G"	"H"
-20	11.90 [0.469]	14.70 [0.579]	12.00 [0.472]	15.15 [0.596]	14.95 [0.589]	5.60 [0.220]
-30	16.90 [0.665]	19.70 [0.776]	17.00 [0.669]	20.15 [0.793]	19.95 [0.785]	8.10 [0.319]
-40	21.90 [0.862]	24.70 [0.972]	22.00 [0.866]	25.15 [0.990]	24.95 [0.982]	10.60 [0.417]
-50	26.90 [1.059]	29.70 [1.169]	27.00 [1.063]	30.15 [1.187]	29.95 [1.179]	13.10 [0.516]

TABLE 3					
LEAD STYLE	PLATING	SHIELD	BODY	CONTACT	SHIELD
-02.5	-L	N	LSHM-XX-02.5-DV-A	C-261-01-L	N/A
	-F			C-261-01-F	
-03.0	-L	N	LSHM-XX-03.0-DV-A	C-185-01-LM	N/A
	-F			C-185-01-FM	
-04.0	-L	N	LSHM-XX-04.0-DV-A	C-185-03-LM	N/A
	-F			C-185-03-FM	
-06.0	-L	N	LSHM-XX-06.0-DV-A	C-185-02-LM	N/A
	-F			C-185-02-FM	
-02.5	-L	S	LSHM-XX-02.5-DV-A	C-261-01-L	SH26-XX-02.5-DV-N
	-F			C-261-01-F	
-03.0	-L	S	LSHM-XX-03.0-DV-A	C-185-01-LM	SH26-XX-03.0-DV-N
	-F			C-185-01-FM	
-04.0	-L	S	LSHM-XX-04.0-DV-A	C-185-03-LM	SH26-XX-04.0-DV-N
	-F			C-185-03-FM	
-06.0	-L	S	LSHM-XX-06.0-DV-A	C-185-02-LM	SH26-XX-06.0-DV-N
	-F			C-185-02-FM	
-L2.5	-L	N	LSHM-XX-02.5-DV-A	C-261-L1-L	N/A
	-F			C-261-L1-F	
-L3.0	-L	N	LSHM-XX-03.0-DV-A	C-185-L1-LM	N/A
	-F			C-185-L1-FM	
-L4.0	-L	N	LSHM-XX-04.0-DV-A	C-185-L3-LM	N/A
	-F			C-185-L3-FM	
-L6.0	-L	N	LSHM-XX-06.0-DV-A	C-185-L2-LM	N/A
	-F			C-185-L2-FM	
-L2.5	-L	S	LSHM-XX-02.5-DV-A	C-261-L1-L	SH26-XX-02.5-DV-N
	-F			C-261-L1-F	
-L3.0	-L	S	LSHM-XX-03.0-DV-A	C-185-L1-LM	SH26-XX-03.0-DV-N
	-F			C-185-L1-FM	
-L4.0	-L	S	LSHM-XX-04.0-DV-A	C-185-L3-LM	SH26-XX-04.0-DV-N
	-F			C-185-L3-FM	
-L6.0	-L	S	LSHM-XX-06.0-DV-A	C-185-L2-LM	SH26-XX-06.0-DV-N
	-F			C-185-L2-FM	

F:\DWG\MISC\MKTG\LSHM-1XX-XX.X-DV-A-X-TR-MKT.SLDDRW

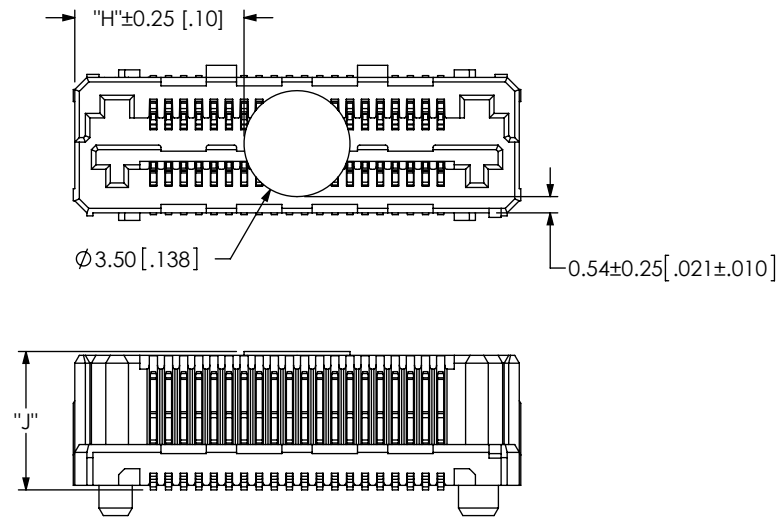



FIG 3
-K OPTION
(LSHM-120-XX.X-DV-A-N-K SHOWN)

<p>PROPRIETARY NOTE THIS DOCUMENT CONTAINS INFORMATION CONFIDENTIAL AND PROPRIETARY TO SAMTEC, INC. AND SHALL NOT BE REPRODUCED OR TRANSFERRED TO OTHER DOCUMENTS OR DISCLOSED TO OTHERS OR USED FOR ANY PURPOSE OTHER THAN THAT WHICH IT WAS OBTAINED WITHOUT THE EXPRESSED WRITTEN CONSENT OF SAMTEC, INC.</p> <p>DO NOT SCALE DRAWING SHEET SCALE: 5:1</p>			
	<p>520 PARK EAST BLVD., NEW ALBANY, IN 47150 PHONE: 812-944-6733 FAX: 812-948-5047 e-Mail: info@SAMTEC.com code 55322</p>		
	<p>DESCRIPTION: 0.50mm TERMINAL/SOCKET COMBO</p>		
	<p>DWG. NO. LSHM-1XX-XX.X-XX-DV-A-X-X-TR</p>		
	BY: AGEN H	10/30/2008	SHEET 3 OF 3