

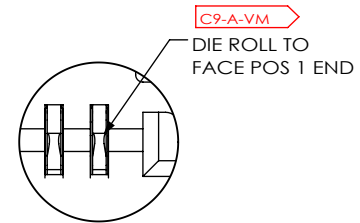
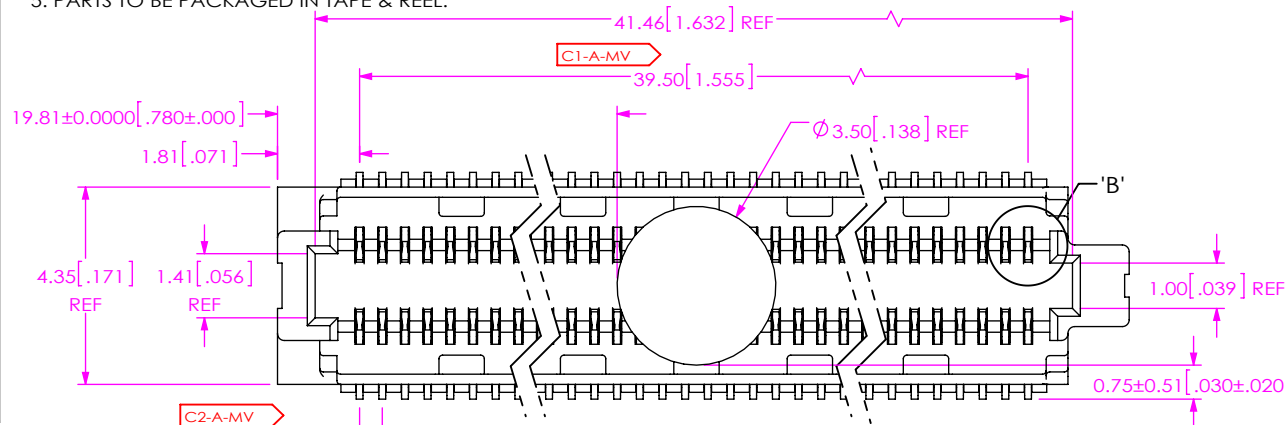
REVISION

REF: SS5-80-3.50-L-D-K-TR

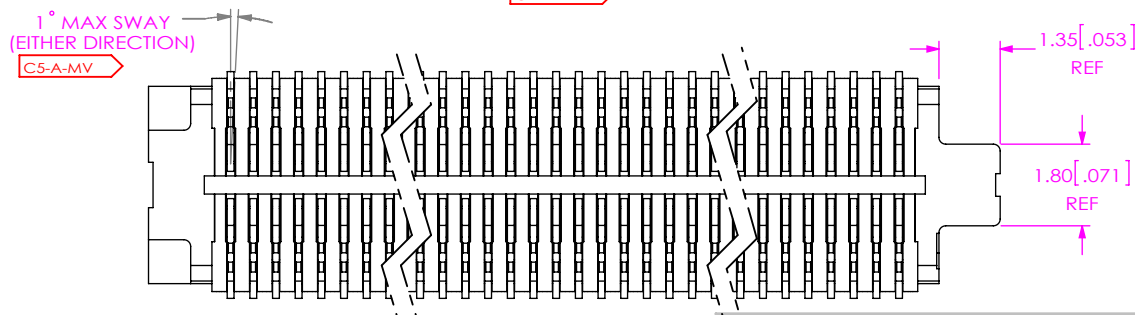
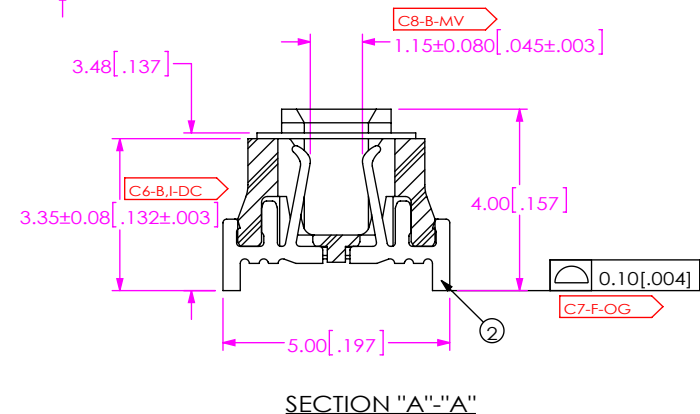
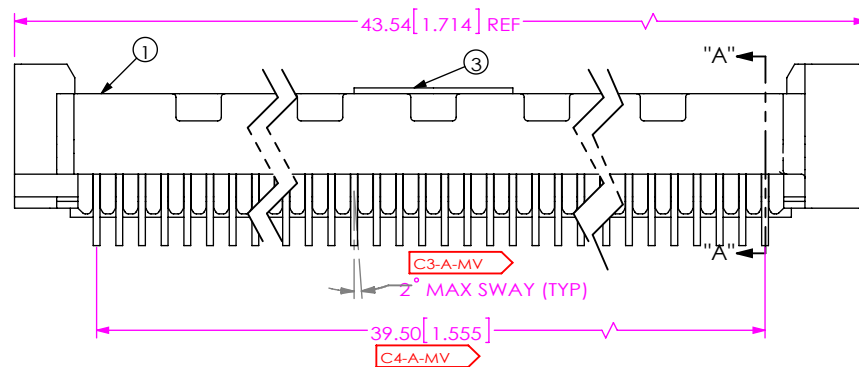
DESIGNED & DIMENSIONED  
IN MILLIMETERS [INCHES]

NOTES:

1. SET UP FOR CUSTOMER PROJECT TRACKING NOT AVAILABLE AS STANDARD.
2. [Cx.X-xx] REPRESENTS A CRITICAL DIMENSION.
3. MINIMUM PUSHOUT FORCE: SIGNAL: 1.11N [0.25 LB].
4. FOR QUANTITIES UP TO 49 PIECES, NO LEADER, TRAILER, OR REEL WILL BE SUPPLIED.  
FOR QUANTITIES OF 50-124 PIECES, NO LEADER OR TRAILER WILL BE SUPPLIED.
5. PARTS TO BE PACKAGED IN TAPE & REEL.



DETAIL 'B'  
SCALE 12:1



NOT RELEASED  
FOR PRODUCTION  
USE FOR QUOTING, PRELIMINARY  
DESIGN, PROTOTYPING AND  
INFORMATIONAL PURPOSES ONLY

BY SIGNING THIS DOCUMENT  
YOU ARE ACCEPTING THE  
CONDITIONS SET WITHIN.  
YOUR REQUIREMENTS MUST BE  
LISTED WITHIN THIS DRAWING.  
WHERE NO DIRECTION FROM THE  
CUSTOMER IS IDENTIFIED  
SAMTEC'S PROCESS  
REQUIREMENTS WILL BE USED.

DATE: \_\_\_\_\_  
COMPANY: \_\_\_\_\_  
CUSTOMER SIGNATURE: \_\_\_\_\_  
PRINTED NAME: \_\_\_\_\_  
PHONE No: \_\_\_\_\_  
EXCEPTIONS: \_\_\_\_\_

UNLESS OTHERWISE SPECIFIED,  
DIMENSIONS ARE IN MILLIMETERS.  
TOLERANCES ARE:  
DECIMALS ANGLES  
X.X: ±0.3 [.01] 2°  
X.XX: ±0.13 [.005]  
X.XXX: ±0.051 [.0020]

PROPRIETARY NOTE  
THIS DOCUMENT CONTAINS CONFIDENTIAL AND  
PROPRIETARY INFORMATION AND ALL DESIGN,  
MANUFACTURING, REPRODUCTION, USE, PATENT RIGHTS  
AND SALES RIGHTS ARE EXPRESSLY RESERVED BY SAMTEC,  
INC. THIS DOCUMENT SHALL NOT BE DISCLOSED, IN WHOLE  
OR PART, TO ANY UNAUTHORIZED PERSON OR ENTITY NOR  
REPRODUCED, TRANSFERRED OR INCORPORATED IN ANY  
OTHER PROJECT IN ANY MANNER WITHOUT THE EXPRESS  
WRITTEN CONSENT OF SAMTEC, INC.



520 PARK EAST BLVD, NEW ALBANY, IN 47150  
PHONE: 812-944-6733 FAX: 812-948-5047  
e-Mail: info@SAMTEC.com code 55322

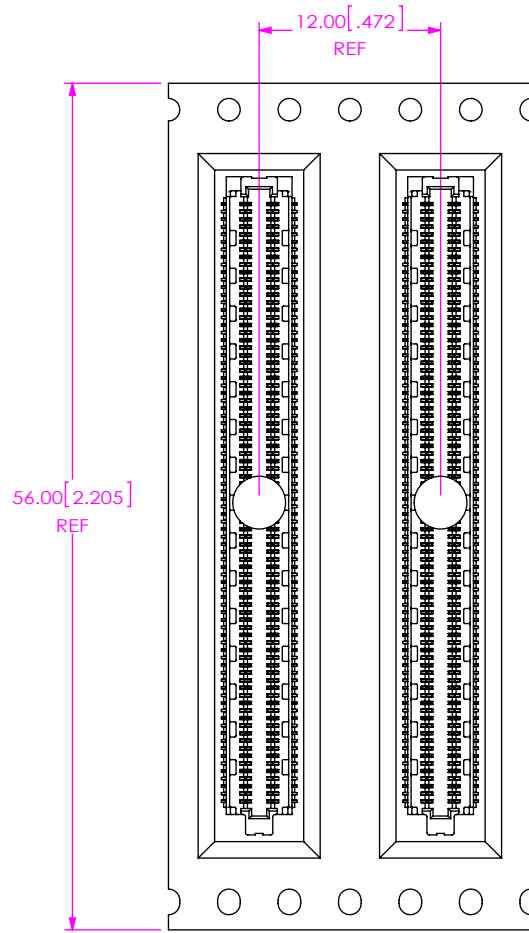
DO NOT SCALE DRAWING SHEET SCALE: 6:1  
PLATING:  
CONTACT AREA: .000010 GOLD OVER .000050 NICKEL  
REMAINDER: .000200 REF TIN OVER .000050 NICKEL

DESCRIPTION:  
0.5mm SOCKET STRIP ASSEMBLY

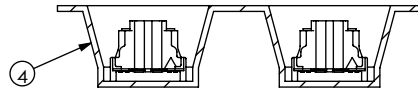
DWG. NO.  
REF-192552-01

BY: PETER D 04/05/2016 SHEET 1 OF 2

ITEM NO.	PART NUMBER	QUANTITY	MATERIAL
1	SS5-80-3.00-D	1.0000	SUMIKASUPER E6007 LHF MR BZ, COLOR: BLACK
2	C-229-3.50-L	1.60.00	PHOS BRONZE, 521 HARD TEMPER
3	K-DOT-.138-.250-.005	1.0000	POLYIMIDE FILM
4	CT-SS5012MS	1.0997	CONDUCTIVE POLYMER



USER DIRECTION OF UN-REELING →  
POCKET NOT DETAILED



PACKAGING VIEW

**PROPRIETARY NOTE**

THIS DOCUMENT CONTAINS CONFIDENTIAL AND PROPRIETARY INFORMATION AND ALL DESIGN, MANUFACTURING, REPRODUCTION, USE, PATENT RIGHTS AND SALES RIGHTS ARE EXPRESSLY RESERVED BY SAMTEC, INC. THIS DOCUMENT SHALL NOT BE DISCLOSED, IN WHOLE OR PART, TO ANY UNAUTHORIZED PERSON OR ENTITY NOR REPRODUCED, TRANSFERRED OR INCORPORATED IN ANY OTHER PROJECT IN ANY MANNER WITHOUT THE EXPRESS WRITTEN CONSENT OF SAMTEC, INC.



520 PARK EAST BLVD, NEW ALBANY, IN 47150  
PHONE: 812-944-6733 FAX: 812-948-5047  
e-Mail: info@SAMTEC.com code 55322

SHEET SCALE: 2:1

DESCRIPTION:  
0.5mm SOCKET STRIP ASSEMBLY

DWG. NO.  
REF-192552-01

BY: PETER D 04/05/2016 SHEET 2 OF 2