

TABLE 1			
No. OF POS	"A"	"B"	"C"
-10	5.25 [0.207]	4.500 [0.1772]	6.40 [0.252]
-15	7.75 [0.305]	7.000 [0.2756]	8.90 [0.350]
-20	10.25 [0.404]	9.500 [0.3740]	11.40 [0.449]
-30	15.25 [0.600]	14.500 [0.5709]	16.40 [0.646]
-40	20.25 [0.797]	19.500 [0.7677]	21.40 [0.843]
-50	25.25 [0.994]	24.500 [0.9646]	26.40 [1.039]
-60	30.25 [1.191]	29.500 [1.1614]	31.40 [1.236]
-70	35.25 [1.388]	34.500 [1.3583]	36.40 [1.433]
-80	40.25 [1.585]	39.500 [1.5551]	41.40 [1.630]

DESIGNED & DIMENSIONED
IN MILLIMETERS[INCHES]

ST5-XX-X.XX-X-D-P-TR

No OF POSITIONS
-10, -15, -20, -30, -40,
-50, -60, -70, -80 (PER ROW)

PACKAGING
-TR: TAPE AND REEL
(SEE NOTES 3)

LEAD STYLE
-1.00: (USE T-1M50-1.00-L)
-1.50: (USE T-1M50-1.50-L)
*-2.50: (USE T-1M50-2.50-L)

PLACEMENT PAD
-P: PICK AND PLACE PAD
(SEE FIG 4, SHT 2)

PLATING SPECIFICATION
-L: 10µ" SELECTIVE GOLD IN CONTACT
AREA, MATTE TIN ON TAIL

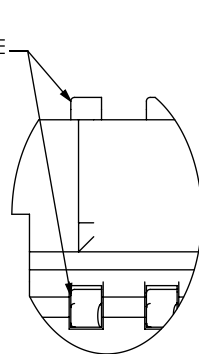
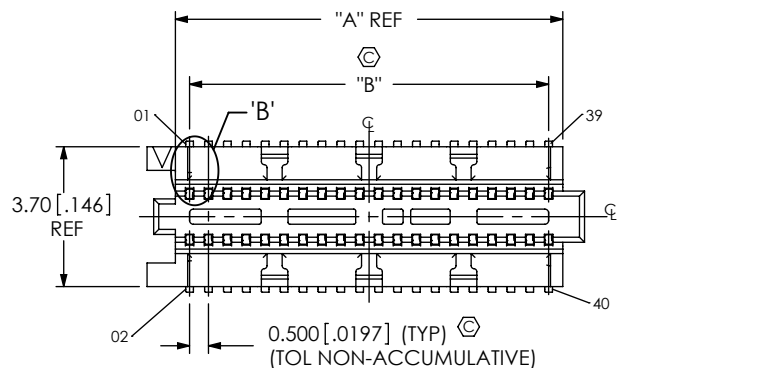
ROW SPECIFICATION
-D: DOUBLE

(* = NOT TOOLED)

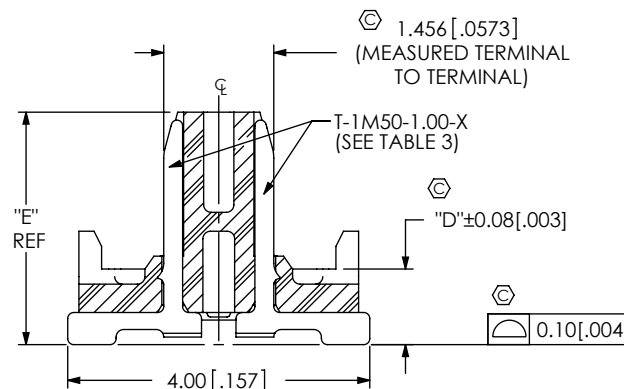
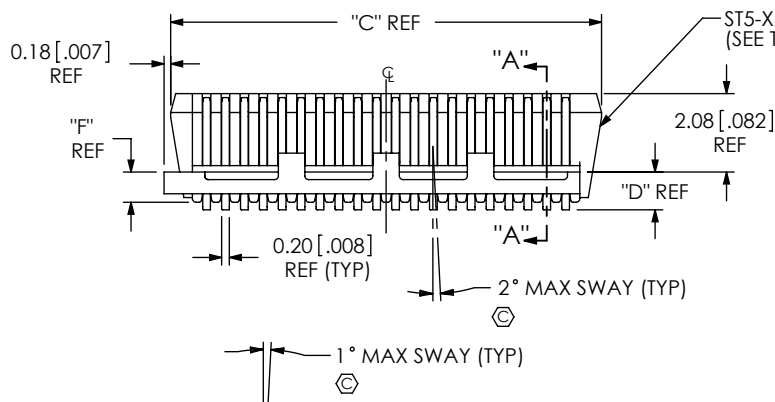
TABLE 2 REF		
STACK HEIGHT		
ST5 LEAD STYLE	SS5 LEAD STYLE	
-1.00	-3.00	-3.50
-1.50	4.0 [0.16]	4.5 [0.18]
*-2.50	4.5 [0.18]	5.0 [0.20]
	5.5 [0.22]	6.0 [0.24]

(* = NOT TOOLED)

DO NOT
SCALE FROM
THIS PRINT



DETAIL 'B'
SCALE 20 : 1



SECTION "A"-"A"
SCALE 10 : 1

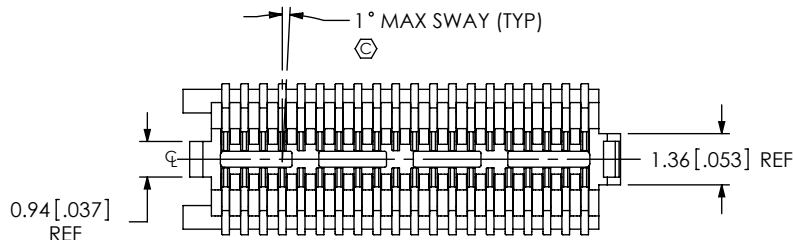


TABLE 3					
LEAD STYLE	"D"	"E"	"F"	BODY	TERMINAL
-1.00	1.00 [0.039]	3.08 [0.121]	0.80 [0.031]	ST5-XX-1.00-D	T-1M50-1.00-X
-1.50	1.50 [0.059]	3.58 [0.141]	0.80 [0.031]	ST5-XX-1.00-D	T-1M50-1.50-X
*-2.50	2.50 [0.098]	4.58 [0.180]	1.80 [0.071]	ST5-XX-2.50-D	T-1M50-2.50-X

(* = NOT TOOLED)

NOTES:

1. Ⓢ REPRESENTS A CRITICAL DIMENSION.
2. MINIMUM PUSHOUT FORCE: SIGNAL: 1.11N [0.25 LB].
3. FOR QUANTITIES UP TO 49 PIECES, NO LEADER, TRAILER, OR REEL WILL BE SUPPLIED.
FOR QUANTITIES OF 50-124 PIECES, NO LEADER OR TRAILER WILL BE SUPPLIED.

FIG 1
ST5-20-1.00-X-D-P-TR SHOWN

UNLESS OTHERWISE SPECIFIED,
DIMENSIONS ARE IN MILLIMETERS.
TOLERANCES ARE:

DECIMALS ANGLES
X.X: ±0.3 [0.1] 2°
X.XX: ±0.13 [0.05]
X.XXX: ±0.051 [0.020]

PROPRIETARY NOTE

THIS DOCUMENT CONTAINS INFORMATION
CONFIDENTIAL AND PROPRIETARY TO
SAMTEC, INC. AND SHALL NOT BE REPRODUCED
OR TRANSFERRED TO OTHER DOCUMENTS OR
DISCLOSED TO OTHERS OR USED FOR ANY
PURPOSE OTHER THAN THAT WHICH IT WAS
OBTAINED WITHOUT THE EXPRESSED WRITTEN
CONSENT OF SAMTEC, INC.



520 PARK EAST BLVD, NEW ALBANY, IN 47150
PHONE: 812-944-6733 FAX: 812-948-5047
e-Mail: info@SAMTEC.com code: 55322

MATERIAL: DO NOT SCALE DRAWING SHEET SCALE: 2:1
INSULATOR: LCP, UL 94 V0, COLOR: BLACK
TERMINAL: PHOS BRONZE

DESCRIPTION:
0.5mm TERMINAL STRIP ASSEMBLY

DWG. NO.
ST5-XX-X.XX-X-D-P-TR

BY: ROY LUO 03/29/2012 SHEET 1 OF 2

FIG 2
-1.50 LEAD STYLE
ST5-20-1.50-X-D-P-TR SHOWN
(DIFFERENT AS SHOWN, OTHERWISE SAME AS FIG 1)

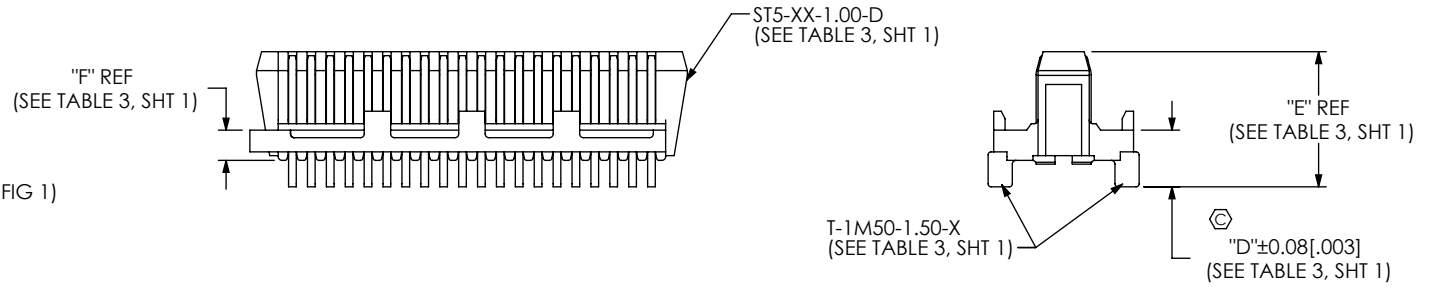


FIG 3
* -2.50 LEAD STYLE
ST5-20-2.50-X-D-P-TR SHOWN
(DIFFERENT AS SHOWN, OTHERWISE SAME AS FIG 1)
(* = NOT TOOLED)

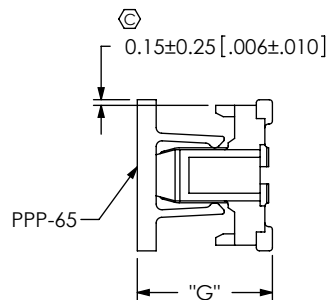
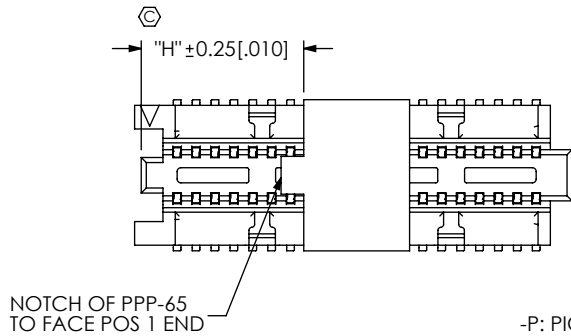
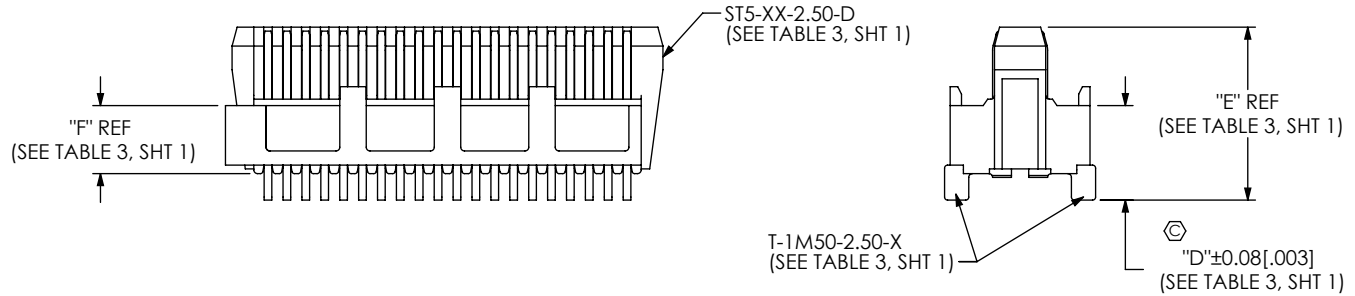


FIG 4
-P: PICK AND PLACE PAD OPTION
ST5-20-1.00-X-D-P-TR SHOWN
(DIFFERENT AS SHOWN, OTHERWISE SAME AS FIG 1)

LEAD STYLE	"G"
-1.00	3.58 [0.141]
-1.50	4.08 [0.161]
*-2.50	5.08 [0.200]

(* = NOT TOOLED)

No. OF POS	"H"
-10	1.80 [0.071]
-15	1.80 [0.071]
-20	4.30 [0.169]
-30	6.80 [0.268]
-40	9.30 [0.366]
-50	11.80 [0.465]
-60	14.30 [0.563]
-70	16.80 [0.661]
-80	19.30 [0.760]

PROPRIETARY NOTE
THIS DOCUMENT CONTAINS INFORMATION CONFIDENTIAL AND PROPRIETARY TO SAMTEC, INC. AND SHALL NOT BE REPRODUCED OR TRANSFERRED TO OTHER DOCUMENTS OR DISCLOSED TO OTHERS OR USED FOR ANY PURPOSE OTHER THAN THAT WHICH IT WAS OBTAINED WITHOUT THE EXPRESSED WRITTEN CONSENT OF SAMTEC, INC.

DO NOT SCALE DRAWING

SHEET SCALE: 5:1



520 PARK EAST BLVD, NEW ALBANY, IN 47150
PHONE: 812-944-6733 FAX: 812-948-5047
e-Mail: info@SAMTEC.com code: 55322

DESCRIPTION:
0.5mm TERMINAL STRIP ASSEMBLY

DWG. NO.
ST5-XX-X.XX-X-D-P-TR

BY: ROY LUO 03/29/2012 SHEET 2 OF 2