

DESIGNED AND DIMENSIONED IN MILLIMETERS[INCHES]  
ALL DIMENSIONS REFERENCE EXCEPT AS SHOWN

DO NOT SCALE FROM THIS PRINT

ADM6-XXX-XX.X-XXX-4-X-X-XR

No. OF POSITIONS  
-10, -20, -30, -40, -50, -60,  
□\*\*-70, □\*\*-80, □\*\*-90, □\*\*-100  
(PER ROW)

PACKAGING (SEE NOTES 1, 3 & 4)  
-TR: TAPE & REEL  
-FR: FULL REEL QTY TAPE & REEL

LEAD STYLE  
-01.5: 1.5MM  
\*\*-03.5: 3.5MM  
\*\*-06.5: 6.5MM  
\*\*-08.5: 08.5MM

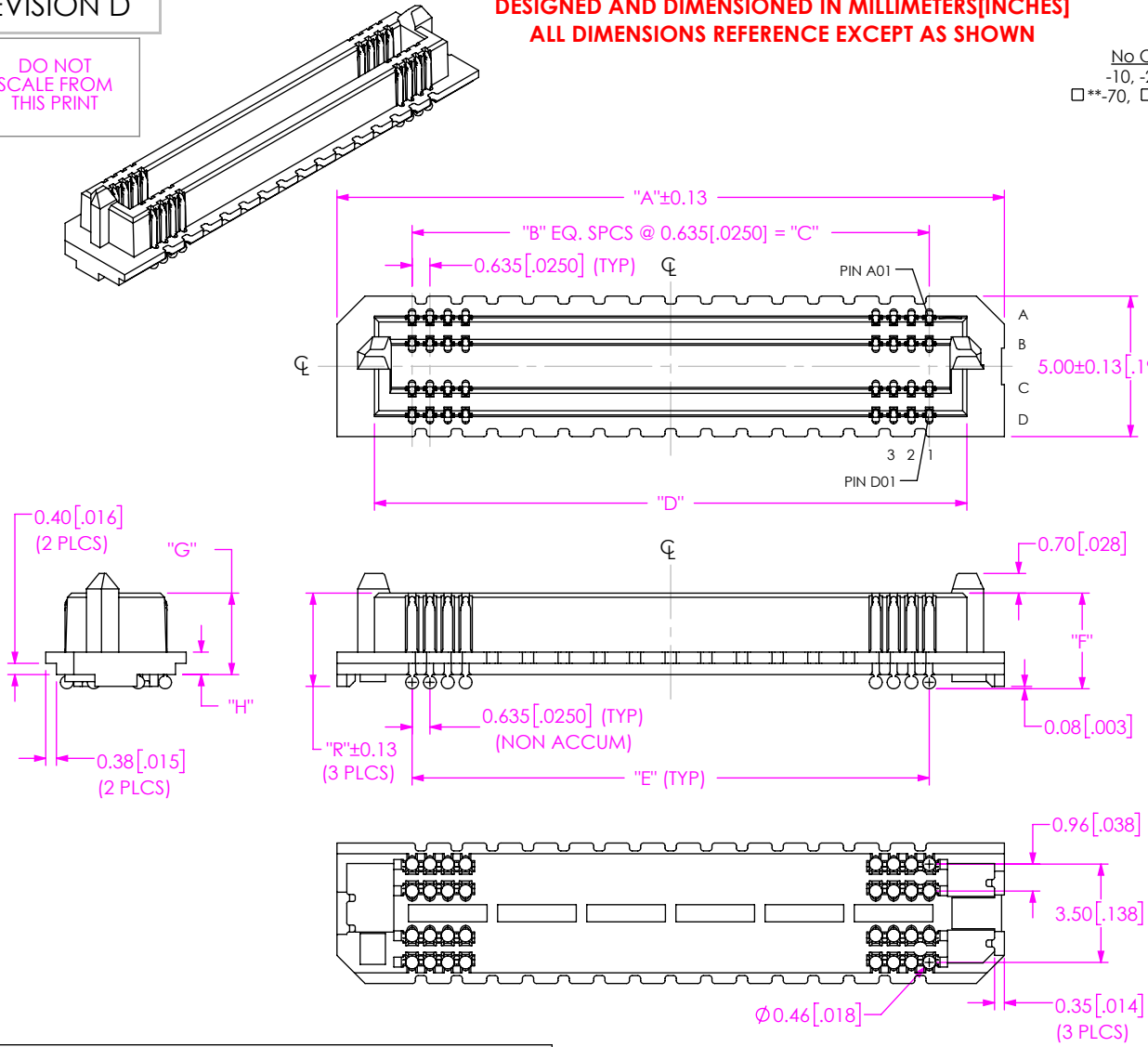
OPTION  
BLANK: NO ALIGNMENT PIN  
-A: ALIGNMENT PIN  
(SEE SHT 3, FIG 3)

SOLDER BALL COMPOSITION  
△-1: 63.0% TIN/37.0% LEAD  
-2: 96.5% TIN/3.0% SILVER/  
0.5% COPPER

PLATING SPECIFICATION  
-L: 10μ" SELECTIVE GOLD  
IN CONTACT AREA,  
MATTE TIN ON TAIL  
-S: 30μ" SELECTIVE GOLD  
IN CONTACT AREA,  
MATTE TIN ON TAIL  
△-STL: 30μ" SELECTIVE GOLD  
IN CONTACT AREA,  
TIN/LEAD ON SOLDER TAIL.

4 ROW

(\*\* = NOT RELEASED)  
(□ = ONLY AVAILABLE IN -03.5 LEAD STYLE)  
(△ = ONLY AVAILABLE FOR -40 POSITION)



**TABLE 1**  
STACK HEIGHT

ADF6 LEAD STYLE	ADM6 LEAD STYLE			
	-01.5	-03.5	-06.5	-08.5
-03.5	5.00 [0.197]	7.00 [0.276]	10.00 [0.394]	12.00 [0.472]
-07.5	9.00 [0.354]	11.00 [0.433]	14.00 [0.551]	16.00 [0.630]

**TABLE 2**

No. OF POS. PER ROW	"A"	"B"	"C"	"D"	"E"
-10	11.07 [0.436]	9	5.715 [0.2250]	8.395 [0.3305]	5.72 [0.225]
-20	17.42 [0.686]	19	12.065 [0.4750]	14.745 [0.5805]	12.07 [0.475]
-30	23.77 [0.936]	29	18.415 [0.7250]	21.095 [0.8305]	18.42 [0.725]
-40	30.12 [1.186]	39	24.765 [0.9750]	27.445 [1.0805]	24.77 [0.975]
-50	36.47 [1.436]	49	31.115 [1.2250]	33.795 [1.3305]	31.12 [1.225]
-60	42.82 [1.686]	59	37.465 [1.4750]	40.145 [1.5805]	37.47 [1.475]
-70	49.17 [1.936]	69	43.815 [1.7250]	46.495 [1.8305]	43.82 [1.725]
-80	55.52 [2.186]	79	50.165 [1.9750]	52.845 [2.0805]	50.17 [1.975]
-90	61.87 [2.436]	89	56.515 [2.2250]	59.195 [2.3305]	56.52 [2.225]
-100	68.22 [2.686]	99	62.865 [2.4750]	65.545 [2.5805]	62.87 [2.475]

**TABLE 3**

LEAD STYLE	"F"	"G"	"H"	"R"
-01.5	3.40 [0.134]	2.900 [0.1142]	0.800 [0.0315]	3.32 [0.131]
-03.5	5.40 [0.213]	4.900 [0.1929]	2.800 [0.1102]	5.32 [0.209]
-06.5	8.40 [0.331]	7.900 [0.3110]	5.800 [0.2283]	8.32 [0.328]
-08.5	10.40 [0.409]	9.900 [0.3898]	7.800 [0.3071]	10.32 [0.406]

FIG 1  
ADM6-30-01.5-XXX-4-X-XR SHOWN  
(SOME CENTER FEATURES REMOVED FOR CLARITY)

1. TAPE & REEL IS STANDARD PACKAGING.
2. NOTE DELETED.
3. ORDERS WILL BE PACKAGED ACCORDING TO THE SAMTEC PACKAGING EFFICIENCY STANDARDS (SPES) FOUND ON WWW.SAMTEC.COM
4. ATTACH LABEL TO EACH TAPE & REEL PACKAGE.
5. K-DOT PROVIDED AS STANDARD.

PROPRIETARY NOTE  
THIS DOCUMENT CONTAINS CONFIDENTIAL AND PROPRIETARY INFORMATION AND ALL DESIGN, MANUFACTURING, REPRODUCTION, USE, PATENT RIGHTS AND SALES RIGHTS ARE EXPRESSLY RESERVED BY SAMTEC, INC. THIS DOCUMENT SHALL NOT BE DISCLOSED, IN WHOLE OR PART, TO ANY UNAUTHORIZED PERSON OR ENTITY NOR REPRODUCED, TRANSFERRED OR INCORPORATED IN ANY OTHER PROJECT IN ANY MANNER WITHOUT THE EXPRESS WRITTEN CONSENT OF SAMTEC, INC.



520 PARK EAST BLVD, NEW ALBANY, IN 47150  
PHONE: 812-944-6733 FAX: 812-948-5047  
e-Mail info@SAMTEC.com code 55322

DO NOT SCALE DRAWING  
SHEET SCALE: 4:1  
MATERIAL:  
INSULATOR: LCP, COLOR BLACK  
CONTACT: COPPER ALLOY

DESCRIPTION:  
ADM6 ASSEMBLY

DWG. NO.  
ADM6-XXX-XX.X-XXX-4-X-X-XR

BY: J RUZZI 6/14/2016 SHEET 1 OF 3

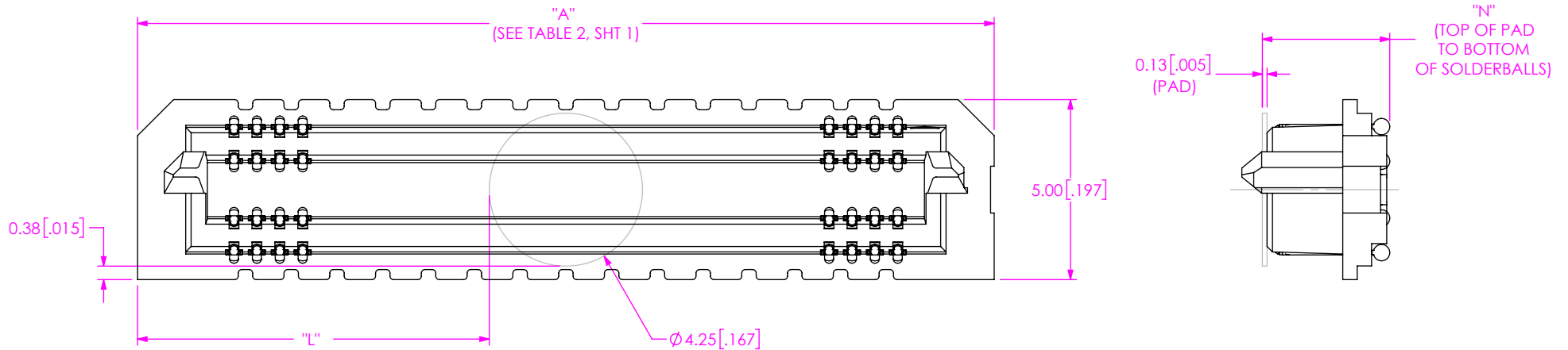


FIG 2  
 POLYIMIDE PAD  
 ADM6-30-1.5-XXX-4-X-XR SHOWN  
 (SOME CENTER FEATURES REMOVED FOR CLARITY)

-No. OF POS PER ROW	"L"
-10 POS	3.41 [0.134]
-20 POS	6.58 [0.259]
-30 POS	9.76 [0.384]
-40 POS	12.93 [0.509]
-50 POS	16.11 [0.634]
-60 POS	19.28 [0.759]
-70 POS	22.46 [0.884]
-80 POS	25.63 [1.009]
-90 POS	28.81 [1.134]
-100 POS	31.98 [1.259]

LEAD STYLE	"N"
-01.5	3.53 [0.139]
-03.5	5.53 [0.218]
-06.5	8.53 [0.336]
-08.5	10.53 [0.415]

**PROPRIETARY NOTE**  
 THIS DOCUMENT CONTAINS CONFIDENTIAL AND PROPRIETARY INFORMATION AND ALL DESIGN, MANUFACTURING, REPRODUCTION, USE, PATENT RIGHTS AND SALES RIGHTS ARE EXPRESSLY RESERVED BY SAMTEC, INC. THIS DOCUMENT SHALL NOT BE DISCLOSED, IN WHOLE OR PART, TO ANY UNAUTHORIZED PERSON OR ENTITY NOR REPRODUCED, TRANSFERRED OR INCORPORATED IN ANY OTHER PROJECT IN ANY MANNER WITHOUT THE EXPRESS WRITTEN CONSENT OF SAMTEC, INC.



520 PARK EAST BLVD, NEW ALBANY, IN 47150  
 PHONE: 812-944-6733 FAX: 812-948-5047  
 e-Mail info@SAMTEC.com code 55322

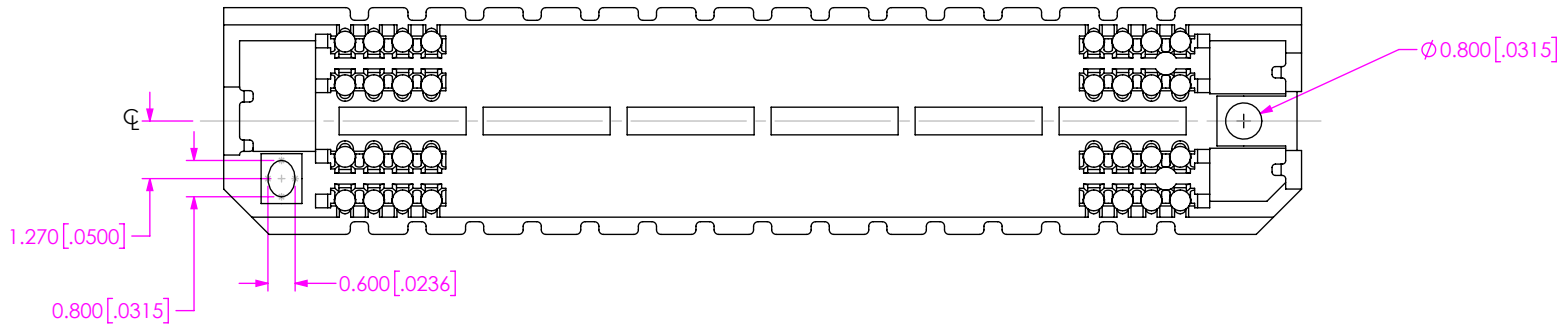
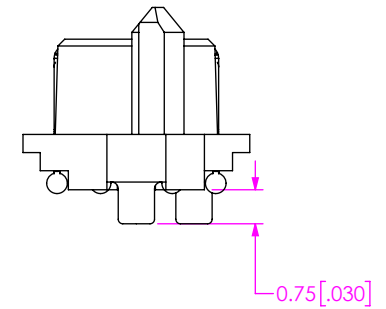
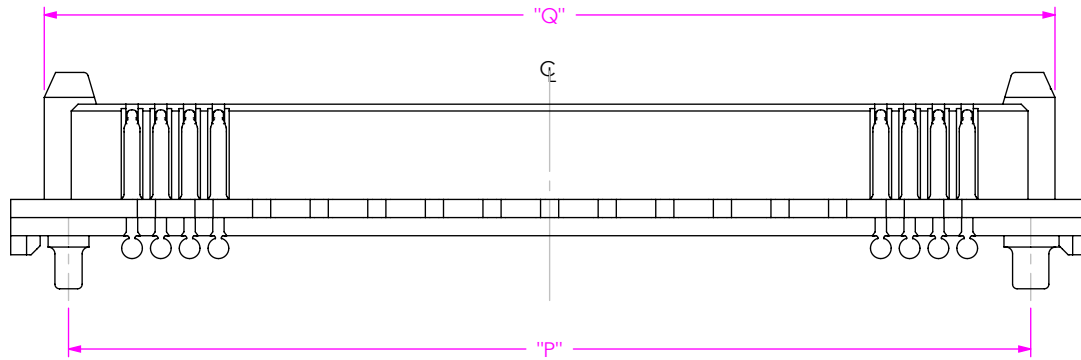
DO NOT SCALE DRAWING

SHEET SCALE: 6:1

DESCRIPTION: ADM6 ASSEMBLY

DWG. NO. ADM6-XXX-XX.X-XXX-4-X-X-XR

BY: J RUZZI 6/14/2016 SHEET 2 OF 3



**FIG 3**  
 -A: ALIGNMENT PIN  
 ADM6-30-01.5-XXX-4-X-A-XR SHOWN  
 (SAME AS FIG 1, EXCEPT AS SHOWN)  
 (SOME CENTER FEATURES REMOVED FOR CLARITY)

TABLE 6	
No OF POS PER ROW	"P"
-10	8.52 [0.335]
-20	14.87 [0.585]
-30	21.22 [0.835]
-40	27.57 [1.085]
-50	33.92 [1.335]
-60	40.27 [1.585]
-70	46.62 [1.835]
-80	52.97 [2.085]
-90	59.32 [2.335]
-100	65.67 [2.585]

TABLE 7	
No OF POS PER ROW	"Q"
-10	9.59 [0.377]
-20	15.94 [0.627]
-30	22.29 [0.877]
-40	28.64 [1.127]
-50	34.99 [1.377]

**PROPRIETARY NOTE**  
 THIS DOCUMENT CONTAINS CONFIDENTIAL AND PROPRIETARY INFORMATION AND ALL DESIGN, MANUFACTURING, REPRODUCTION, USE, PATENT RIGHTS AND SALES RIGHTS ARE EXPRESSLY RESERVED BY SAMTEC, INC. THIS DOCUMENT SHALL NOT BE DISCLOSED, IN WHOLE OR PART, TO ANY UNAUTHORIZED PERSON OR ENTITY NOR REPRODUCED, TRANSFERRED OR INCORPORATED IN ANY OTHER PROJECT IN ANY MANNER WITHOUT THE EXPRESS WRITTEN CONSENT OF SAMTEC, INC.



520 PARK EAST BLVD, NEW ALBANY, IN 47150  
 PHONE: 812-944-6733 FAX: 812-948-5047  
 e-Mail info@SAMTEC.com code 55322

DO NOT SCALE DRAWING

SHEET SCALE: 4:1

DESCRIPTION: ADM6 ASSEMBLY

DWG. NO. ADM6-XXX-XX.X-XXX-4-X-X-XR

BY: J RUZZI 6/14/2016 SHEET 3 OF 3